

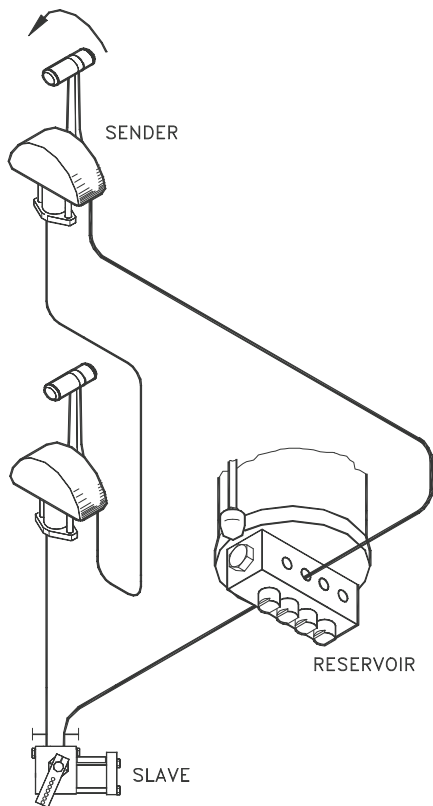


Hynautic ENGINE CONTROLS

Filling and Bleeding

NOTICE

DO NOT USE hydraulic oil, or hydraulic steering fluid in this system. ONLY use Hynautic Control Fluid, part # HA5455.



1. Verify that all control handles are free to traverse their complete arc.
2. Disconnect Slave linkages from Throttle and Shift (pull back on ball joint to release.)
3. Remove Filler Plug from Reservoir and fill with HA5455 fluid to within 2" of top of sight tube. (During bleeding, DO NOT let fluid level get below 2" from bottom of sight tube.)
4. Pressurize tank to 100 psi. (Electric compressor works well for this.)
5. Insert end of 5/16" tube into one Slave Bleeder Fitting, other end into a clean container or bucket. Refer to Figure B.
6. Open Bleeder Nut 1 turn; bleed 1 pint into container, and close Bleeder.
7. Repeat on other Bleeder.
8. It will be evident that the flow from one Bleeder is less than the other. Connect tube to SLOWER side and bleed approximately 2 quarts.
9. Confirm fluid level in Reservoir. If bleed fluid is to be reintroduced into Reservoir, it must first be filtered through a paper coffee filter. Change filters frequently.
10. After bleeding Slaves, loosen allen screw behind handle at Sender until solid fluid (bubble-free) appears. Refer to Figure A.
11. Repeat previous steps at remaining Slaves and Senders.
12. Go to each control station and move each handle 4 to 5 times from stop to stop. This will synchronize all stations.
13. Check Reservoir to be sure it is 2/3 to 3/4 full, then set pressure to 80–85 psi.
14. Reconnect all linkages. System should now be operational.

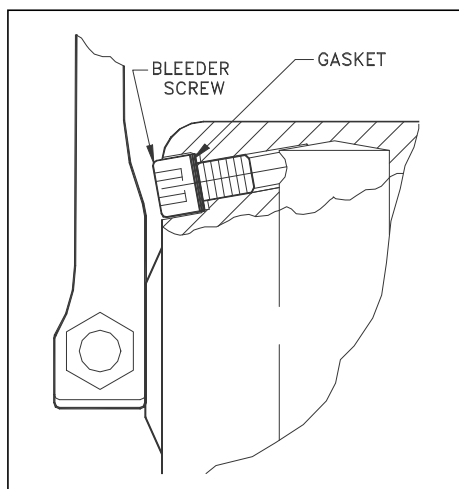


Figure A. Sender.

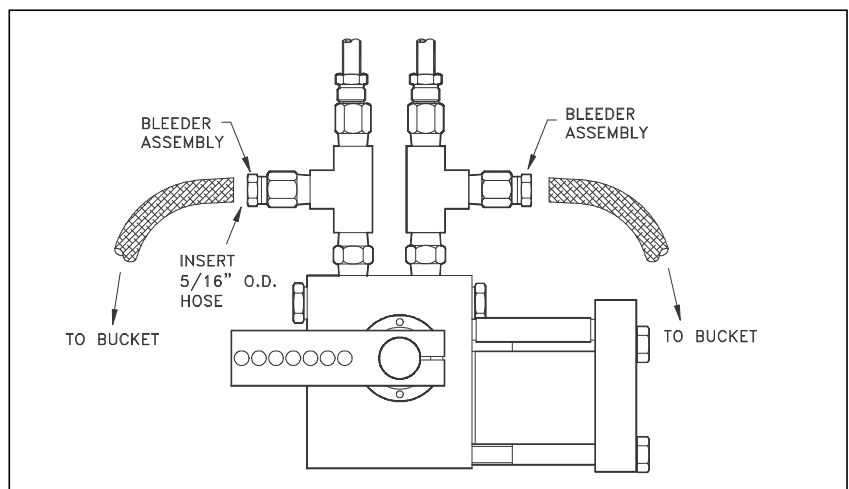


Figure B. Slave (typical).